

MAVERICK

OFFICE SOLUTIONS | MADE IN THE U.S.A



APEX

QUICK SHIP



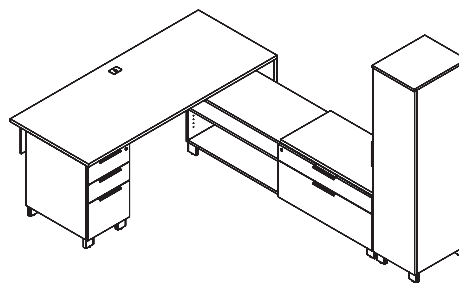
Effective January 1, 2020/2021

COLLABORATIVE WORKSPACE

Front Cover Shown in: Midnight and Charcoal
Cushion: Anchorage/Onyx #2335-2016



Shown in: Midnight and Majestic White
Cushion: Anchorage/Onyx #2335-2016
Tackboard: Tempest/Zebra #2120-015



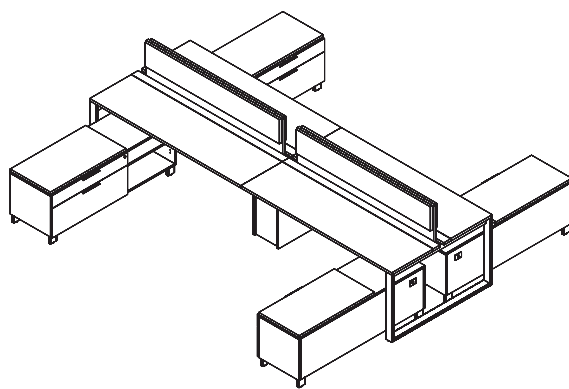
Front Cover

QSAP5R

Qty	Model #	Description	List price	Extended Price
1	APRT 3072	Rectangular Top Worksurface (30"X72")	\$406	\$406
1	APPED C24 BBF	Supporting Box/Box/File, No Top (24"DX16"W28"H)	\$1,159	\$1,159
1	APTEG 30	T-Leg (30"DX13"WX28")	\$158	\$158
1	APSB 54	External Stabilizer Bar (2"DX2"HX38"W)	\$70	\$70
1	APPSL 72	Frosted Acrylic Modesty (65"WX12"H)	\$620	\$620
1	APSBL 2072R	Low Single Box/Lateral Credenza, Right(20"DX72"WX22"H)	\$1,848	\$1,848
1	APCUH 2036	Credenza Cushion (19"DX36"W)	\$304	\$304
1	APSTS 2065R	Single Storage Cabinet, Right (20"DX16"WX65"H)	\$1,521	\$1,521
Total			\$6,086	\$6,086



CONTINUE >>



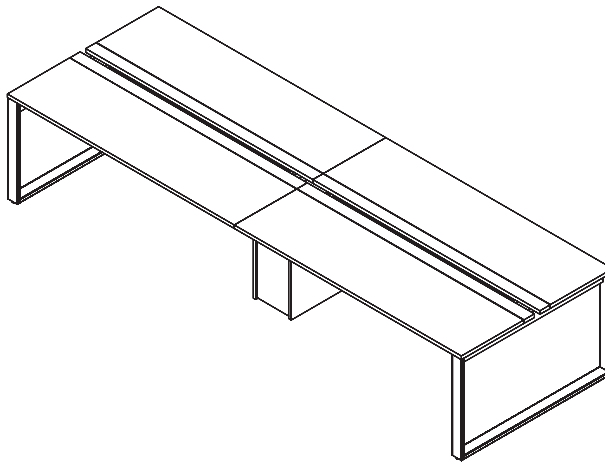
QSAP10									
Qty	Model #	Description	List price	Extended Price	Qty	Model #	Description	List price	Extended Price
2	APRECH 4872	Two Rectangular Worksurface Shared (48"Dx72"W)	\$725	\$1,450	2	APSBL 2060L	Single Box/Lateral Credenza, Left (20"Dx60"W22"H)	\$1,778	\$3,556
2	APODL 48	D-Leg (48"Dx28"H)	\$509	\$1,018	2	APSBL 2060R	Single Box/Lateral Credenza, Right (20"Dx60"W22"H)	\$1,778	\$3,556
2	APWMT0 72	Outer Wire Management Trough (59"Wx8"Hx10"D)	\$854	\$1,708	4	APCUH 2036	Low Credenza Cushion (19"Dx36"W)	\$304	\$1,216
4	APSB 72	External Stabilizer Bar (2"Dx2"Hx56"W)	\$88	\$352	1	APESC 72	System Hardwire Electrical Starter Cable (72")	\$202	\$202
1	APLEGM 1224	Square Panel Base Hollow, with End Access Door (12"Dx24"W)	\$445	\$445	4	APSSPB 4	Single Sided Power Box with 4 Power Outlets	\$158	\$632
2	APPSUW 7215	TFM Privacy Screen (65"Wx15"Hx1"D)	\$286	\$572	2	APDCE 60	52" Daisy Chain Electrical Cable	\$202	\$404
4	APTKBD1065	Tackboard (10"Hx64"W)	\$517	\$2,068	1	APDCE 72	72" Daisy Chain Electrical Cable	\$222	\$222
					2	APGANG1	Ganging Hardware	\$38	\$76
								Total	\$17,477



■ Shown in: Driftwood and Majestic White

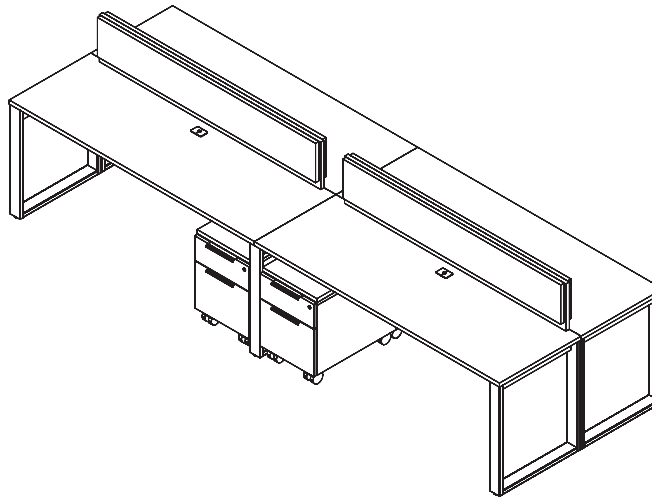


■ Shown in: Asian Sand and Greige
Cushion: Underground/Earth #2967-061
Tackboard: Underground/Tangerine #2967-070



QSAP8

Qty	Model #	Description	List price	Extended Price	Qty	Model #	Description	List price	Extended Price
2	APRECH 4872	Two Rectangular Worksurface Shared (48"Dx72"W)	\$725	\$1,450	4	APSB 72	External Stabilizer Bar (2"Dx2"Hx56"W)	\$88	\$352
2	APODL 48	D-Leg (48"Dx28"H)	\$509	\$1,018	1	APESC 72	System Hardwire Electrical Starter Cable (72")	\$202	\$202
2	APWMT0 72	Outer Wire Management Trough (59"Wx8"x10"D)	\$854	\$1,708	4	APSSPB 4	Single Sided Power Box with 4 Power Outlets	\$158	\$632
1	APLEGM 1224	Square Panel Base Hollow, with End Access Door (12"Dx24"W)	\$445	\$445	2	APDCE 60	52" Daisy Chain Electrical Cable	\$202	\$404
					1	APDCE 72	72" Daisy Chain Electrical Cable	\$222	\$222
					2	APGANG1	Ganging Hardware	\$38	\$76
Total									\$6,509



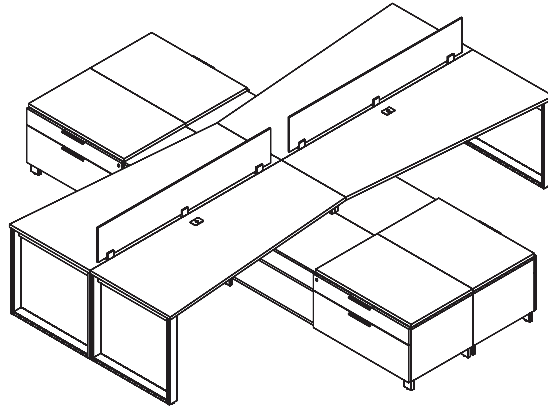
QSAP7

Qty	Model #	Description	List price	Extended Price	Qty	Model #	Description	List price	Extended Price
4	APRT 2472	Rectangular Top Worksurface (24"x72")	\$363	\$1,452	2	APPSUW 7212	TFM Privacy Screen (65"Wx12"Hx1"D)	\$142	\$284
4	APODL 24	D-Leg (24"Dx28"H)	\$409	\$1,636	4	APTKBD1065	Tackboard (10"Hx64"W)	\$517	\$2,068
2	APMDL 24	Shared D-Leg (24"Dx28"H)	\$486	\$972	4	APPED AX20 BF	Mobile BF Pedestal (19"Dx16"W22"H)	\$918	\$3,672
8	APSB 72	External Stabilizer Bar (2"Dx2"Hx56"W)	\$88	\$704	4	APCUH 2016	Mobile Pedestal Cushion (19"Dx16"W)	\$242	\$968
Total									\$11,756

CONTINUE >>



Shown in: Beachwood and Majestic White
Cushion: Anchorage/Waterfall #2335-2691

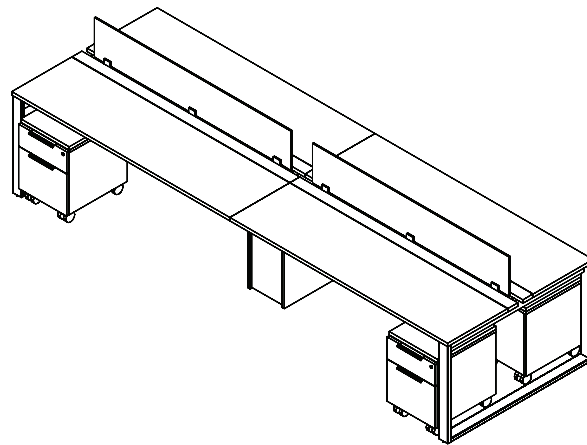


QSAP6

Qty	Model #	Description	List price	Extended Price	Qty	Model #	Description	List price	Extended Price
2	APWT 2472 30L	Wedge Top Worksurface (30/24"Dx72"W)	\$423	\$846	2	APPSU 72	Frosted Acrylic Privacy Screen (65"Wx12"Hx1"D)	\$620	\$1,240
2	APWT 2472 30R	Wedge Top Worksurface (24/30"Dx72"W)	\$423	\$846	2	APSBL 2472L	Low Single Box/Lateral Credenza, Left, (24"Dx72"Wx22"H)	\$1,988	\$3,976
4	APODL 30	D-Leg (30"Dx28"H)	\$433	\$1,732	2	APSBL 2472R	Low Single Box/Lateral Credenza, Right, (24"Dx72"Wx22"H)	\$1,988	\$3,976
4	APTLEG 2406	Supporting T-Leg TFM (16"Dx13"Wx6H")	\$134	\$536	4	APCUH 2436	Credenza Cushion (23"Dx36"W)	\$323	\$1,292
1	APPED C24 BBF	Supporting Box/Box/File, No Top (24"Dx16"Wx28"H)	\$1,159	\$1,159					
8	APSB 72	External Stabilizer Bar (2"Dx2"Hx56"W)	\$88	\$704					
							Total		\$16,307



Shown in: Majestic White and Rustic Maple
 Cushion: Anchorage/Waterfall #2335-2691
 *Rustic Maple is available only for drawer fronts



QSAP9

Qty	Model #	Description	List price	Extended Price	Qty	Model #	Description	List price	Extended Price
2	APRECH 4872	Two Rectangular Worksurface Shared (48"Dx72"W)	\$725	\$1,450	4	APPED AX20 BF	Mobile BF Pedestal (19"Dx16"W22"H)	\$918	\$3,672
2	APODL 48	D-Leg (48"Dx28"H)	\$509	\$1,018	4	APCUH 2016	Mobile Pedestal Cushion (19"Dx16"W)	\$242	\$968
2	APWMT0 72	Outer Wire Management Trough (59"Wx8"x10"D)	\$854	\$1,708	1	APESC 72	System Hardwire Electrical Starter Cable (72")	\$202	\$202
4	APSB 72	External Stabilizer Bar (2"Dx2"Hx56"W)	\$88	\$352	4	APSSPB 4	Single Sided Power Box with 4 Power Outlets	\$158	\$632
1	APLEGM 1224	Square Panel Base Hollow, with End Access Door (12"Dx24"W)	\$445	\$445	2	APDCE 60	52" Daisy Chain Electrical Cable	\$202	\$404
2	APPSU 72	Frosted Acrylic Privacy Screen (65"Wx12"Hx1"D)	\$620	\$1,240	1	APDCE 72	72" Daisy Chain Electrical Cable	\$222	\$222
					2	APGANG1	Ganging Hardware	\$38	\$76
								Total	\$12,389

PRIVATE OFFICE

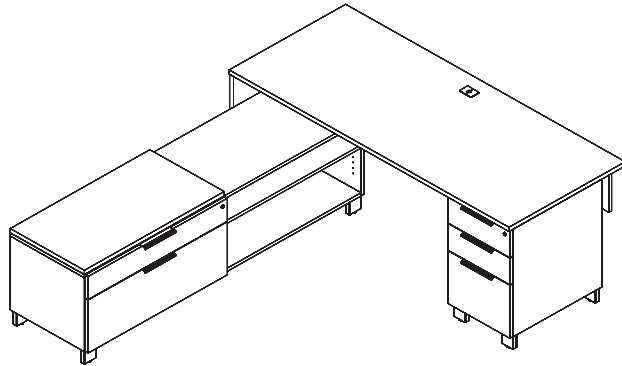


1 **Shown in:** Majestic White and Grey

Tackboard: Sprite/Linen #2671-7010

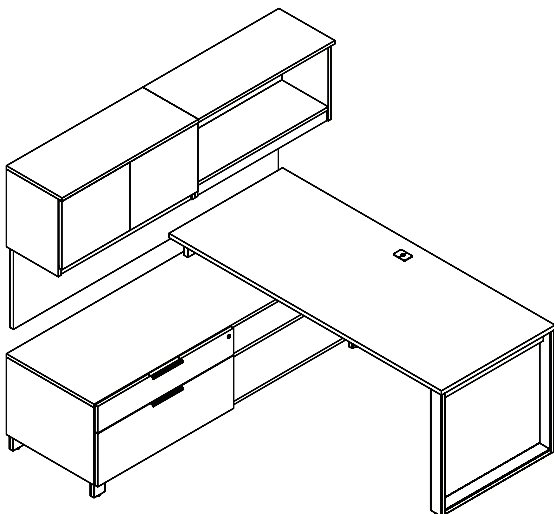
2 **Shown in:** Columbian Walnut and Black

Cushion: Underground/Earth #2967-061



QSAP4L

Qty	Model #	Description	List price	Extended Price
1	APRT 3072	Rectangular Top Worksurface (30"Dx72"W)	\$406	\$406
1	APPED C24 BBF	Supporting Box/Box/File, No Top (24"Dx16"Wx28"H)	\$1,159	\$1,159
1	APTLEG 30	T-Leg (30"Dx13"Wx28"H)	\$158	\$158
1	APSB 54	External Stabilizer Bar (2"Dx2"Hx38"W)	\$70	\$70
1	APPSLW 72	TFM Modesty Panel (12"Hx65"W)	\$142	\$142
1	APSBL 2072L	Low Single Box/Lateral Credenza, Left(20"Dx72"Wx22"H)	\$1,848	\$1,848
1	APCUH 2036	Credenza Cushion (19"Dx36"W)	\$304	\$304
Total			\$4,087	\$4,087

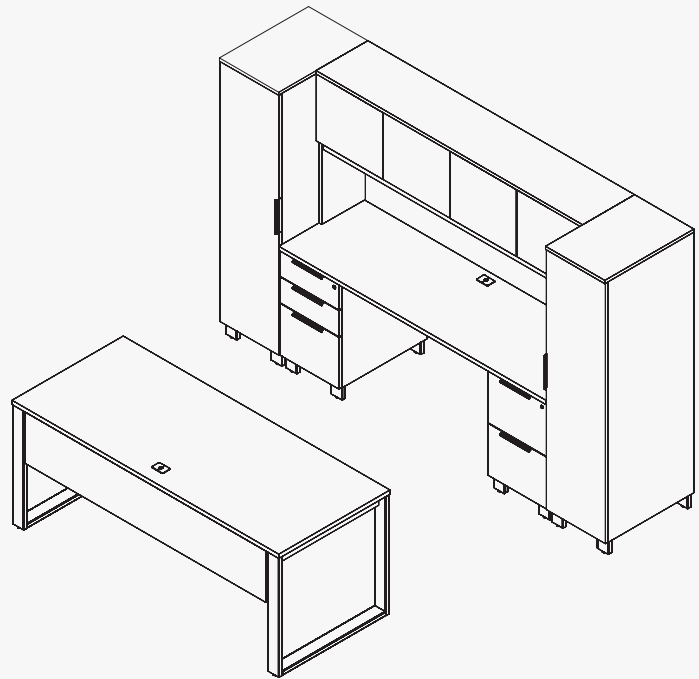


QSAP1L

Qty	Model #	Description	List price	Extended Price
1	APRT 3072	Rectangular Top Worksurface (30"x72")	\$406	\$406
1	APODL 30	D-Leg (30"DX28"H)	\$433	\$433
1	APTLEG 3006	Low Credenza TFM T-Leg (22"DX13"Wx28")	\$141	\$141
2	APSB 72	External Stabilizer Bar (2"Dx2"Hx56"W)	\$88	\$176
1	APSBL 2472L	Low Single Box/Lateral Credenza, Left (24"Dx72"Wx22"H)	\$1,988	\$1,988
1	APCFOHD 36	Wall Mounted Overhead Cabinet with Hinged Doors	\$836	\$836
1	APCFOH0 36	Wall Mounted Overhead Cabinet with no Doors	\$661	\$661
1	APTKBD 1972	Tackboard (70"Wx19"H)	\$574	\$574
Total			\$5,215	\$5,215



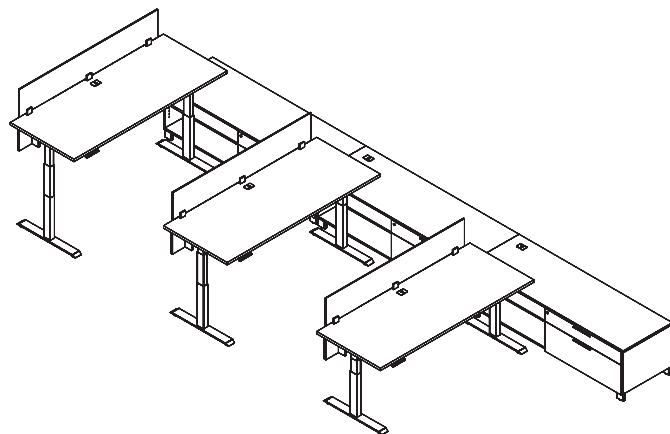
Shown in: Spice Walnut and Majestic White
Tackboard: Underground/Ocean #2967-041



QSAP2				
Qty	Model #	Description	List price	Extended Price
1	APRT 3072	Rectangular Top Worksurface (30"x72")	\$406	\$406
1	APRT 2472	Rectangular Top Worksurface (24"x72")	\$363	\$363
2	APODL 30	D-Leg (30"Dx28"H)	\$433	\$866
1	APPSLW 72	TFM Modesty Panel (12"Hx65"W)	\$142	\$142
2	APSB 72	External Stabilizer Bar (2"Dx2"HX56"W)	\$88	\$176
1	APPED C24 BBF	Supporting Box/Box/File, No Top (24"Dx16"Wx28"H)	\$1,159	\$1,159
1	APPED D24 FF	Supporting File/File, No Top (24"Dx16"Wx28"H)	\$1,110	\$1,110
2	APCFOHD 36	Wall Mounted Overhead Cabinet with Hinged Doors	\$836	\$1,672
1	APTKBD 1972	Tackboard (70"Wx19"H)	\$574	\$574
1	APSTS 2465L	Single Storage Cabinet, Left (24"Dx16"Wx65"H)	\$1,609	\$1,609
1	APSTS 2465R	Single Storage Cabinet, Right (24"Dx16"Wx65"H)	\$1,609	\$1,609
			Total	\$9,686

HEIGHT ADJUSTABLE

Mobility that supports your ascent





Shown in: Vintage Grey and Grey
Bases: Silver

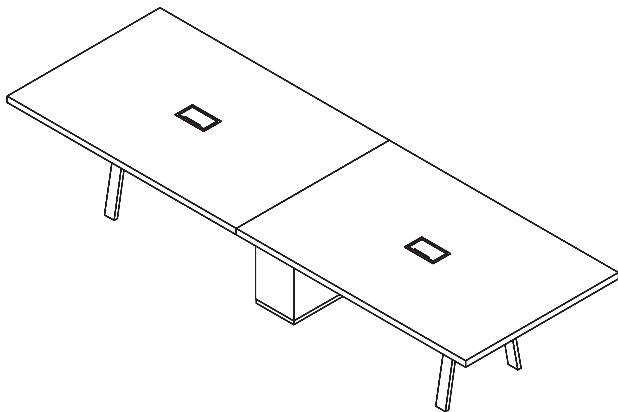
QSAP3R

Qty	Model #	Description	List price	Extended Price	Qty	Model #	Description	List price	Extended Price
3	APRT 3072	Rectangular Top Worksurface (30"Dx72"W)	\$406	\$1,218	3	APPSU 72	Frosted Acrylic Privacy Screen (65"Wx12"Hx1"D)	\$620	\$1,860
3	MMLEGAHE30S	Adjustable Height Electrical Legs (30"Dx72"Wx23-48"H) Silver	\$1,407	\$4,221	3	APSBL 2472R	Low Single Box/Lateral Credenza, Right(24"Dx72"Wx22"H)	\$1,988	\$5,964
3	APPSLW 72	TFM Modesty Panel (12"Hx65"W)	\$142	\$426			Total		\$13,689

CONFERENCE



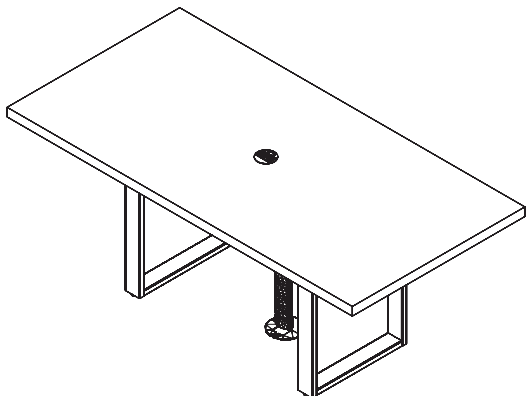
Shown in: Midnight
Legs: Silver



QSAP12C			List price	Extended Price
Qty	Model #	Description		
1	APRE48144	Rectangular Conference Table 2pcs Top 48"x144"x1 3/4"	\$1,812	\$1,812
2	APLEGA24S	A-Frame Leg 24"D Silver	\$459	\$918
1	MMLEGMP1324WD	Square Panel w/ End Access Door & Plinth Base, 13"x24"x28"H	\$736	\$736
2	APWMT	Wire Management Trough Box	\$372	\$744
2	MMPWRDLX2S	Metal Brushed Silver Power Mgmt Unit, Center Left & Right	\$1,120	\$2,240
Total				\$6,450

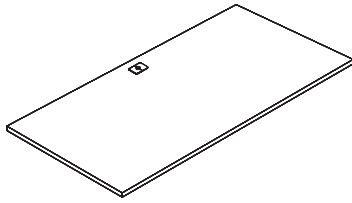


Shown in: Beachwood
Legs: Silver



QSAP11C			List price	Extended Price
Qty	Model #	Description		
1	APRE3672	Rectangular Conference Table Top 36"x72"x1 3/4"	\$744	\$744
2	APMDL20S	Shared D-Leg 20"D Silver	\$468	\$936
1	APVMT 28	VertebraWire Management 28"H, Silver	\$186	\$186
1	NAPRGR3S	Round Power Grommet Silver, Center	\$182	\$182
Total				\$2,048

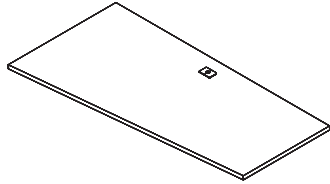
Worksurfaces



Rectangular Worksurface

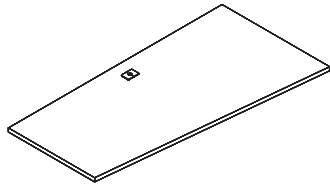
Model#	Depth	Width	Height	Weight	Cube	Price
APRT2436	24"	36"	1"	23	1	\$218
APRT2442	24"	42"	1"	27	1	\$235
APRT2448	24"	48"	1"	30	1	\$245
APRT2454	24"	54"	1"	34	1	\$310
* APRT2460	24"	60"	1"	38	1	\$324
* APRT2466	24"	66"	1"	42	1	\$347
* APRT2472	24"	72"	1"	45	1	\$363
* APRT3060	30"	60"	1"	47	2	\$356
* APRT3072	30"	72"	1"	57	2	\$406

One silver square grommet standard, center 3" clear from approach.
 Depending on support configuration, external stabilizer may be required on tops of 54" or greater.
 * 2 stabilizer bars are required on 60", 66" & 72" wide worksurfaces when supporting with left & right Double post leg, D-legs or T-legs



Wedge Worksurface, Left

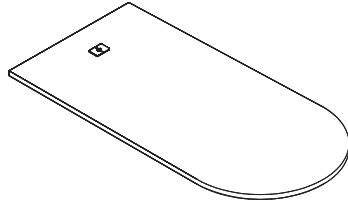
Model#	(L)	(B)	(E)	(W)	Weight	Cube	Price
* APWT246030L	60"	30"	24"	60"	47	2	\$375
* APWT247230L	72"	30"	24"	72"	57	2	\$423



Wedge Worksurface, Right

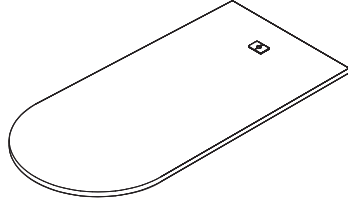
Model#	(L)	(B)	(E)	(W)	Weight	Cube	Price
* APWT246030R	60"	30"	24"	60"	47	2	\$375
* APWT247230R	72"	30"	24"	72"	57	2	\$423

One silver square grommet standard, center 3" clear from approach.
 * 2 stabilizer bars are required on 60" & 72" wide worksurfaces when supporting with left & right Double post leg, D-legs or T-legs



Bullet Worksurface, Left

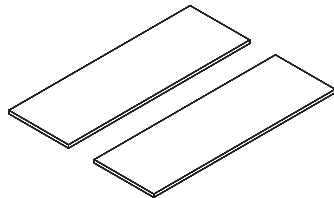
Model#	Depth	Width	Height	Weight	Cube	Price
* APBD3060L	30"	60"	1"	47	2	\$431
* APBD3072L	30"	72"	1"	57	2	\$473



Bullet Worksurface, Right

Model#	Depth	Width	Height	Weight	Cube	Price
* APBD3060R	30"	60"	1"	47	2	\$431
* APBD3072R	30"	72"	1"	57	2	\$473

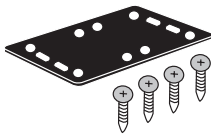
One silver square grommet standard, center 3" clear from approach.
 * 2 stabilizer bars are required on 60" & 72" wide worksurfaces when supporting with left & right Double post leg, D-legs or T-legs



Two Rectangular Worksurfaces Shared

Model#	Depth	Width	Height	Weight	Cube	Price
APRECH4860	48"	60"	1"	63	2	\$651
APRECH4872	48"	72"	1"	75	2	\$725

* 2 stabilizer bars are required.

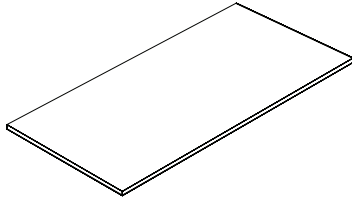


Connecting Hardware (Brackets & Screws)

Model#	Depth	Width	Height	Weight	Cube	Price
AP GANG1	4"	6"	.25"	2	1	\$38
AP GANG2	4"	6"	.25"	3	1	\$76

NOTE: Must be field installed. Hardware for worksurface connections.
 * If using as a return top, specify APGANG1 (2 brackets w/#8x1" wood screws supplied)
 * If using as a Bridge Top, specify APGANG2 (4 brackets w/#8x1" wood screws supplied)

Worksurfaces for Support Pedestals

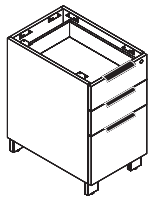


Rectangular Worksurface, Tops for Supporting Pedestals

Model#	Depth	Width	Height	Weight	Cube	Price
APT0P2036	20"	36"	1"	19	1	\$206
APT0P2436	24"	36"	1"	38	1	\$218
APT0P2072	20"	72"	1"	23	1	\$347
APT0P2472	24"	72"	1"	45	1	\$363

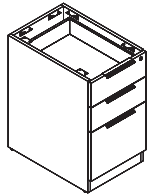
* Tops ship separately for field install, brackets are included. Tops only can be purchase for own use. Tops are design to fit lateral file and hinged door cabinet supporting pedestals.

Support Pedestals



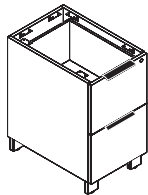
Supporting Box/Box/File with Feet, No Top (Face lock, APH1 Handles)

Model#	Depth	Width	Height	Weight	Cube	Price
APPED C20 BBF	20"	16"	28"	77	6	\$1,151
APPED C24 BBF	24"	16"	28"	83	7	\$1,159



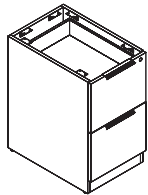
Supporting Box/Box/File with Kickbase, No Top (Face lock, APH1 Handles)

Model#	Depth	Width	Height	Weight	Cube	Price
APPED CM20 BBF	20"	16"	28"	77	6	\$755
APPED CM24 BBF	24"	16"	28"	83	7	\$779



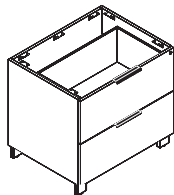
Supporting File/File with Feet, No Top (Face lock, APH1 Handles)

Model#	Depth	Width	Height	Weight	Cube	Price
APPED D20 FF	20"	16"	28"	73	6	\$1,088
APPED D24 FF	24"	16"	28"	79	7	\$1,110



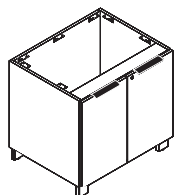
Supporting File/File with Kickbase, No Top (Face lock, APH1 Handles)

Model#	Depth	Width	Height	Weight	Cube	Price
APPED DM20 FF	20"	16"	28"	73	6	\$731
APPED DM24 FF	24"	16"	28"	79	7	\$755



Supporting Lateral File, 2-Drawer, No Top (Face lock, APH1 Handles)

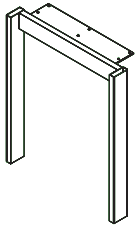
Model#	Depth	Width	Height	Weight	Cube	Price
APPED LF2036	20"	36"	28"	120	12	\$1,369
APPED LF2436	24"	36"	28"	128	14	\$1,410



Supporting Hinged Door Cabinet, No Top, 1-Adjustable Shelf (Face lock, APH1 Handles)

Model#	Depth	Width	Height	Weight	Cube	Price
APPED HDC2036	20"	36"	28"	104	12	\$1,199
APPED HDC2436	24"	36"	28"	115	14	\$1,229

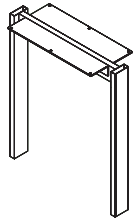
Worksurfaces Supports (Legs, Bases and Stabilizers)



Double Post Leg, Silver Finish

Model#	Depth	Width	Height	Weight	Cube	Price
APODPL24	24"	3"	28"	22	3	\$333
APODPL30	30"	3"	28"	26	4	\$356
APODPL48	48"	3"	28"	40	6	\$439

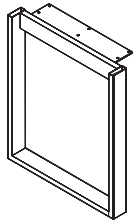
NOTE: 2 stabilizer bars are required on 60", 66" & 72" wide worksurfaces when supporting with left & right Double post leg.



Shared Double Post Leg, Silver Finish

Model#	Depth	Width	Height	Weight	Cube	Price
APDPML24	24"	3"	28"	32	4	\$414
APDPML30	30"	3"	28"	36	5	\$450

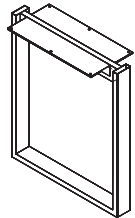
Use to support two worksurfaces.



D-Leg, Silver Finish

Model#	Depth	Width	Height	Weight	Cube	Price
APODL24	24"	3"	28"	26	3	\$409
APODL30	30"	3"	28"	29	4	\$433
APODL48	48"	3"	28"	44	6	\$509

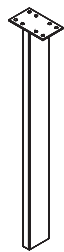
NOTE: 2 stabilizer bars are required on 60", 66" & 72" wide worksurfaces when supporting with left & right Double post leg.



Shared D-Leg, Silver Finish

Model#	Depth	Width	Height	Weight	Cube	Price
APMDL24	24"	3"	28"	37	4	\$486
APMDL30	30"	3"	28"	40	5	\$520

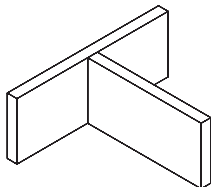
Use to support two worksurfaces.



Single Post, Silver Finish

Model#	Depth	Width	Height	Weight	Cube	Price
APSPL28	1"	3"	28"	6	1	\$135

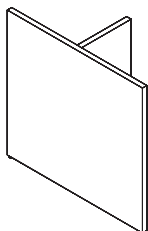
Field install with #8 x 1" wood screws



Support T-Leg, TFM (For low credenza)

Model#	Depth	Width	Height	Fits Top Depth	Weight	Cube	Price
APTLEG2406	16"	13"	6"	24"	4	1	\$134
APTLEG3006	22"	13"	6"	30"	5	1	\$141

Must be ordered when specifying modesty below worksurface.
Supports worksurface above low credenza, pin and cam connection to worksurface underside.

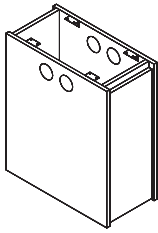


T-Leg, TFM

Model#	Depth	Width	Height	Weight	Cube	Price
APTLEG20	20"	13"	28"	26"	5	\$140
APTLEG24	24"	13"	28"	27	6	\$152
APTLEG30	30"	13"	28"	31	7	\$158

NOTE: 2 stabilizer bars are required on 60", 66" & 72" wide worksurfaces when supporting with left & right T-leg.

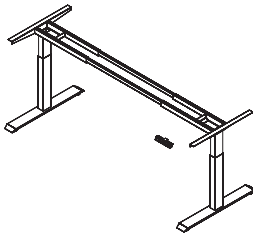
Worksurfaces Supports (Legs, Bases and Stabilizers)



Square Panel Base (Hollow with end access door)

Model#	Depth	Width	Height	Weight	Cube	Price
APLEGM1224	12"	24"	28"	47	5	\$445

Four grommet cutouts standard.
To be used with shared worksurfaces and wire management troughs.



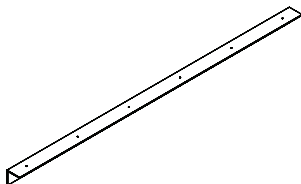
Adjustable Height Electrical Base

Model#	Base(D)	Base (W)	Height	Fits Top Size	Color	Weight	Cube	Price
MMLEGAHE24S	22"	47-72"	23 1/2-49"	24"D-72"W	Silver	64	1	\$1,407
MMLEGAHE30S	28"	47-72"	23 1/2-49"	30"D-72"W	Silver	64	1	\$1,407

Bases ship unassembled unless otherwise specified. 2 Stage Base.

External Stabilizer Bar Specification Guide		Worksurface Width			
SUPPORT 1	SUPPORT 2	72"	66"	60"	54"
* D-LEG	D-LEG	* (2) APSB72	* (2) APSB66	* (2) APSB60	APSB54
* D-LEG	T-LEG	* (2) APSB72	* (2) APSB66	* (2) APSB60	APSB54
D-LEG	PEDESTAL (BBF or FF)	APSB60	APSB54	N/A	N/A
D-LEG	LAT/PLF/HDC	N/A	N/A	N/A	N/A
T-LEG	T-LEG	APSB60	APSB54	N/A	N/A
T-LEG	PEDESTAL	APSB54	N/A	N/A	N/A
T-LEG	LAT/PLF/HDC	N/A	N/A	N/A	N/A
PEDESTAL	PEDESTAL	APSB54	N/A	N/A	N/A
PEDESTAL	LAT/PLF/HDC	N/A	N/A	N/A	N/A

* NOTE: 2 stabilizer bars are required on 60", 66" & 72" wide worksurfaces when supported by left or right double post leg, D-legs or T-legs. If a modesty panel (TFM or HPL) is being specified only one stabilizer bar is required, acrylic modesty requires 2 stabilizer bars.

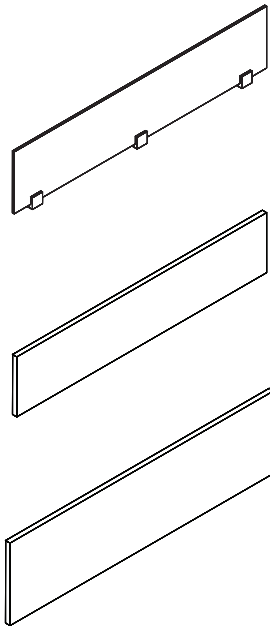


External Stabilizer Bar

Model#	Depth	Width	Height	Fits Top	Weight	Cube	Price
APSB54	1"	38"	1"	54"W	5	1	\$70
APSB60	1"	44"	1"	60"W	6	1	\$76
APSB66	1"	50"	1"	66"W	7	1	\$82
APSB72	1"	56"	1"	72"W	8	1	\$88

Stabilizer bars are recommended to be field installed between user & approach side with #8 x 1" wood screws.

Privacy Screens



Frosted Acrylic Privacy Screen (3/8" thick acrylic)

Model#	Depth	Width	Height	Fits Top	Weight	Cube	Price
APPSU48	1"	41"	12"	48"W	9	1	\$421
APPSU60	1"	53"	12"	60"W	11	1	\$609
APPSU72	1"	65"	12"	72"W	13	1	\$620

APPSL48 include two mounting clips.

TFM Privacy Screen (1" thick)

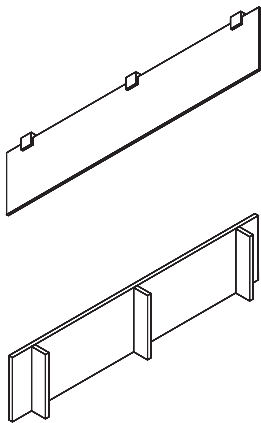
Model#	Depth	Width	Height	Fits Top	Weight	Cube	Price
APPSUW6012	1"	53"	12"	60"W	19	1	\$134
APPSUW7212	1"	65"	12"	72"W	23	1	\$142

TFM Privacy Screen (1" thick)

Model#	Depth	Width	Height	Fits Top	Weight	Cube	Price
APPSUW6015	1"	53"	15"	60"W	24	1	\$267
APPSUW7215	1"	65"	15"	72"W	29	1	\$286

NOTE: Privacy screen location, center left to right is standard on tops.

Modesty Panels



Frosted Acrylic Modesty Panel (3/8" thick acrylic)

Model#	Depth	Width	Height	Fits Top	Weight	Cube	Price
APPSL48	1"	41"	12"	48"W	9	2	\$421
APPSL60	1"	53"	12"	60"W	11	2	\$609
APPSL72	1"	65"	12"	72"W	13	2	\$620

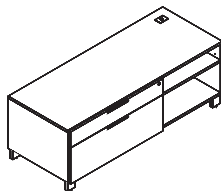
APPSL48 include two mounting clips.

TFM Modesty Panel (3/4" thick)

Model#	Depth	Width	Height	Fits Top	Weight	Cube	Price
APPSLW60	4"	53"	12"	60"W	16	2	\$134
APPSLW72	4"	65"	12"	72"W	19	2	\$142

NOTE: Standard modesty panel Location, center left to right flush to approach under tops, except 36"D tops inset 6".

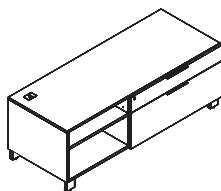
Low Credenzas



Left Single Box/Lateral Credenza, Silver Feet, Locking, 1-Adjustable shelf, 4 Grommets

Model#	Depth	Width	Height	Weight	Cube	Price
APSBL2060L	20"	60"	22"	165	16	\$1,778
APSBL2072L	20"	72"	22"	182	19	\$1,848
APSBL2460L	24"	60"	22"	181	19	\$1,872
APSBL2472L	24"	72"	22"	201	22	\$1,988

Standard right silver square grommet on top, modesty, adjustable shelf and bottom shelf.

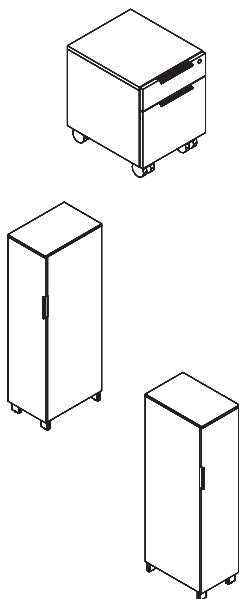


Right Single Box/Lateral Credenza, Silver Feet, Locking, 1-Adjustable Shelf, 4 Grommets

Model#	Depth	Width	Height	Weight	Cube	Price
APSBL2060R	20"	60"	22"	165	16	\$1,778
APSBL2072R	20"	72"	22"	182	19	\$1,848
APSBL2460R	24"	60"	22"	181	19	\$1,872
APSBL2472R	24"	72"	22"	201	22	\$1,988

Standard left silver square grommet on top, modesty, adjustable shelf and bottom shelf.

Freestanding Storage



Mobile Pedestal Box/File (APH1 handles, face lock)

Model#	Depth	Width	Height	Weight	Cube	Price
APPEDAX20BF	20"	16"	22"	73	5	\$918
APPEDAX24BF	24"	16"	22"	78	7	\$941

* Seating weight capacity 175lbs.

Left Single Storage Cabinet, Silver Feet (Left door)

Model#	Depth	Width	Height	# of Shelves	Weight	Cube	Price
APSTS2465L	24"	16"	65"	3	151	15	\$1,609

Optional lock available, add MMFL...\$80.

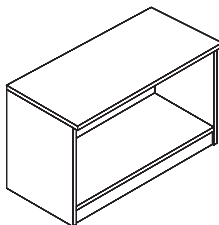
Right Single Storage Cabinet, Silver Feet (Right door)

Model#	Depth	Width	Height	# of Shelves	Weight	Cube	Price
APSTS2465R	24"	16"	65"	3	151	15	\$1,609

Optional lock available, add MMFL...\$80.

Overhead Storage

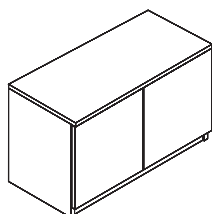
Wall Mount Cabinet, No Doors, with Facia



Model#	Depth	Width	Height	Weight	Cube	Price
APCFHO30	14 3/4"	30"	18 1/2"	47	5	\$556
APCFHO36	14 3/4"	36"	18 1/2"	53	6	\$661

Optional tasklight APTSKLTX24...add \$198.
Requires professional installation and must be mounted to wall stud.
35lb. weight capacity distributed evenly.

Wall Mount Cabinet with Laminate Hinged Doors, with Facia

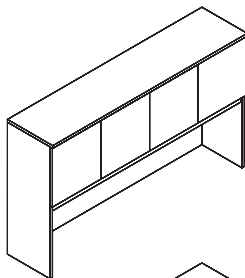


Model#	Depth	Width	Height	# of Doors	Weight	Cube	Price
APCFOHD30	14 3/4"	30"	18 1/2"	2	58	5	\$813
APCFOHD36	14 3/4"	36"	18 1/2"	2	67	6	\$836

Optional. Tasklight APTSKLTX24...add \$198. For face lock add MMFL \$80.
Requires professional installation and must be mounted to wall stud.
35lb. weight capacity distributed evenly.

Hutches

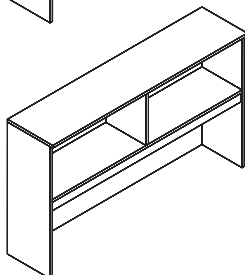
Hutch with Laminate Hinged Doors, with Facia (Bottom clearance 17 1/4"H from fascia)



Model#	Depth	Width	Height	# of Doors	Weight	Cube	Price
APH48WD	14"	48"	36"	4	108	14	\$999
APH60WD	14"	60"	36"	4	129	18	\$1,093
APH72WD	14"	72"	36"	4	149	21	\$1,206

Optional tasklight APTSKLTX24...add \$198.
Optional face locks (two locks required for 4 doors) MMFL...add \$80 each.
35lb. weight capacity distributed evenly.

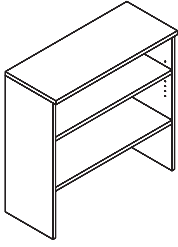
Hutch, No Doors, with Facia (Bottom clearance 17 1/4"H from fascia)



Model#	Depth	Width	Height	Weight	Cube	Price
APH48ND	14"	48"	36"	92	14	\$755
APH60ND	14"	60"	36"	109	18	\$825
APH72ND	14"	72"	36"	125	21	\$918

Optional tasklight APTSKLTX24...add \$198.
35lb. weight capacity distributed evenly.

Hutches

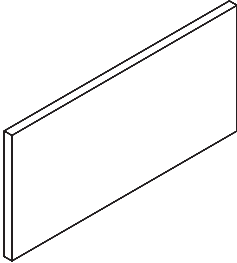


Bookcase Hutch, 1-Fixed and 1-Adjustable Shelf (Bottom clearance 12"H)

Model#	Depth	Width	Height	Weight	Cube	Price
APBCH36	14"	36"	36"	79	11	\$464

Bottom clearance 12"H.
35lb. weight capacity distributed evenly.

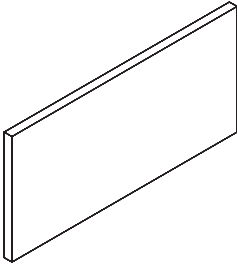
Tackboards



Tackboard (For 36"H hutches)

Model#	Depth	Width	Height	Hutch Width	Weight	Cube	Price
APTKBD1948	1"	46"	19"	48"W	8	1	\$433
APTKBD1960	1"	58"	19"	60"W	10	1	\$503
APTKBD1972	1"	70"	19"	72"W	12	1	\$574

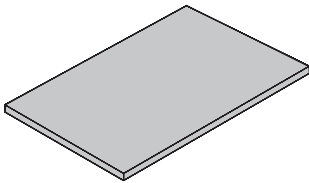
For fabric options, see color chart.



Tackboard (For 15"H TFM privacy screens)

Model#	Depth	Width	Height	Fits Privacy Screen	Weight	Cube	Price
APTKBD1059	1"	58"	10"	59"W	6	1	\$484
APTKBD1065	1"	64"	10"	65"W	6	1	\$517

For fabric options, see color chart.

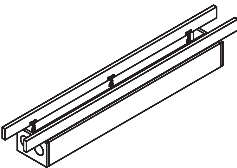


Cushion (For mobile pedestals and credenzas)

Model#	Depth	Width	Height	Weight	Cube	Price
APCUH2016	19"	16"	1"	4	1	\$242
APCUH2416	23"	16"	1"	5	1	\$258
APCUH2036	19"	36"	1"	8	1	\$304
APCUH2436	23"	36"	1"	10	1	\$323

16"w for pedestal and 36"w for credenza. For fabric options, see color chart.

Wire Management

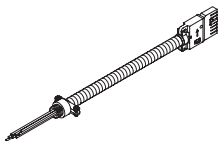


Outer Wire Management Trough with Hinged Doors

Model#	Depth	Width	Height	Weight	Cube	Price
APWMT060	10"	47"	8"	58	3	\$678
APWMT072	10"	59"	8"	69	4	\$854

Designed to fit shared worksurfaces only. To be used between one metal support leg and one square panel base. Grommet holes one side only.

Data/Power Management

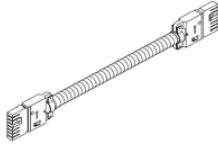


Electrical Starter Cable (8-wire, 4-circuit)

Model#	Depth	Width	Height	Weight	Cube	Price
APESC72	1"	72"	1"	3	1	\$202

* Must be connected to a building electrical supply by licensed electrician.
(40) outlets maximum per single feed. (Available for freestanding trough)

Data/Power Management



Daisy Chain Electrical Cable

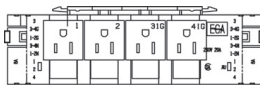
Model#	Depth	Width	Height	Weight	Cube	Price
APDCE24	1"	24"	1"	2	1	\$142
APDCE36	1"	28"	1"	2	1	\$163
APDCE48	1"	40"	1"	2	1	\$181
APDCE54	1"	46"	1"	2	1	\$202
APDCE60	1"	52"	1"	3	1	\$202
APDCE66	1"	58"	1"	3	1	\$216
APDCE72	1"	64"	1"	3	1	\$222



Single-Sided Power Box (Four power outlets)

Model#	Depth	Width	Height	Weight	Cube	Price
APSSPB4	1 1/4"	9 5/16"	2 1/4"	1	1	\$158

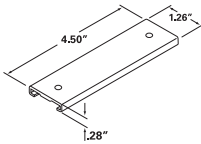
* Can be mounted below worksurfaces or in wire management troughs.
Includes (1) circuit 1, (1) circuit 2, (1) circuit IG, (1) circuit 4. (Available for freestanding trough)



Double-Sided Power Box (Eight power outlets)

Model#	Depth	Width	Height	Weight	Cube	Price
APSSPB8	2"	8 7/16"	2 1/2"	1	1	\$258

Can be mounted below worksurfaces only.
Includes (2) circuit 1, (2) circuit 2, (2) circuit IG, (2) circuit 4. (1) mounting bracket MB



Vertibra Wire Management

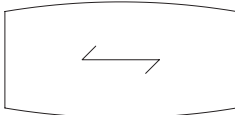
Model#	Depth	Width	Height	Weight	Cube	Price
APVMT28	4"	4"	28"	1	1	\$186

* Wire management from floor to underside of work surface (Field installed).
Finish: Silver. (Available for freestanding trough)



conference collection

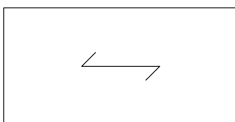
Apex Conference Table Tops



Boatshape Conference Table Top (1 3/4" thick build up edge, square corners)

Model#	Depth	Width	Height	Top	Weight	Cube	Price
APBS3672	30"/ 36"	72"	1 3/4"	1 pc	185	9	\$775
APBS4284	36"/ 42"	84"	1 3/4"	1 pc	250	10	\$866
APBS4296	36"/ 42"	96"	1 3/4"	1 pc	310	12	\$955
APBS42120	36"/ 42"	120"	1 3/4"	1 pc	335	15	\$1,149
APBS48120	42"/ 48"	120"	1 3/4"	1 pc	335	17	\$1,345
APBS42144	36"/ 42"	144"	1 3/4"	2 pcs	360	18	\$1,794
APBS48144	42"/ 48"	144"	1 3/4"	2 pcs	360	19	\$1,885

MAVEAST ONLY: Tops width of 120" are made in 2-piece top, requires 3 bases.
MAVWEST: Tops width of 120" are made in 1-piece top.

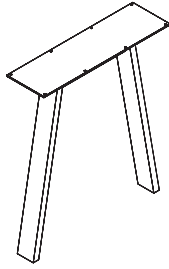


Rectangular Conference Table Top (1 3/4" thick build up edge, square corners)

Model#	Depth	Width	Height	Top	Weight	Cube	Price
APRE3672	36"	72"	1 3/4"	1 pc	185	9	\$744
APRE4284	42"	84"	1 3/4"	1 pc	250	10	\$775
APRE4296	42"	96"	1 3/4"	1 pc	310	12	\$894
APRE4896	48"	96"	1 3/4"	1 pc	154	5	\$1,231
APRE42120	42"	120"	1 3/4"	1 pc	335	15	\$1,120
APRE48120	48"	120"	1 3/4"	1 pc	335	17	\$1,345
APRE42144	42"	144"	1 3/4"	2 pcs	360	18	\$1,686
APRE48144	48"	144"	1 3/4"	2 pcs	360	19	\$1,812

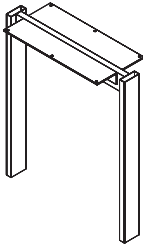
MAVEAST ONLY: Tops width of 120" are made in 2-piece top, requires 3 bases.
MAVWEST: Tops width of 120" are made in 1-piece top.

Apex Metal Legs for Conference Table Tops



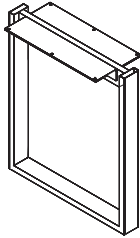
A-Frame Leg

Model#	Depth	Width	Height	Color	Top Depth	Weight	Cube	Price
APLEGA20B	20"	6"	28"	Black	36"	26	3	\$420
APLEGA20S	20"	6"	28"	Silver	36"	26	3	\$420
APLEGA20W	20"	6"	28"	White	36"	26	3	\$420
APLEGA24B	24"	6"	28"	Black	42" & 48"	32	4	\$459
APLEGA24S	24"	6"	28"	Silver	42" & 48"	32	4	\$459
APLEGA24W	24"	6"	28"	White	42" & 48"	32	4	\$459
APLEGA30B	30"	6"	28"	Black	54" & 60"	36	5	\$494
APLEGA30S	30"	6"	28"	Silver	54" & 60"	36	5	\$494
APLEGA30W	30"	6"	28"	White	54" & 60"	36	5	\$494



Shared Double Post Leg

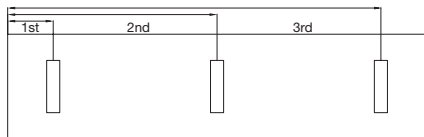
Model#	Depth	Width	Height	Color	Top Depth	Weight	Cube	Price
APDPML20B	20"	9"	28"	Black	36"	26	3	\$375
APDPML20S	20"	9"	28"	Silver	36"	26	3	\$375
APDPML20W	20"	9"	28"	White	36"	26	3	\$375
APDPML24B	24"	9"	28"	Black	42" & 48"	32	4	\$414
APDPML24S	24"	9"	28"	Silver	42" & 48"	32	4	\$414
APDPML24W	24"	9"	28"	White	42" & 48"	32	4	\$414
APDPML30B	30"	9"	28"	Black	54" & 60"	36	5	\$450
APDPML30S	30"	9"	28"	Silver	54" & 60"	36	5	\$450
APDPML30W	30"	9"	28"	White	54" & 60"	36	5	\$450



Shared D-Leg

Model#	Depth	Width	Height	Color	Top Depth	Weight	Cube	Price
APMDL20B	20"	9"	28"	Black	36"	28	3	\$468
APMDL20S	20"	9"	28"	Silver	36"	28	3	\$468
APMDL20W	20"	9"	28"	White	36"	28	3	\$468
APMDL24B	24"	9"	28"	Black	42" & 48"	37	4	\$486
APMDL24S	24"	9"	28"	Silver	42" & 48"	37	4	\$486
APMDL24W	24"	9"	28"	White	42" & 48"	37	4	\$486
APMDL30B	30"	9"	28"	Black	54" & 60"	40	5	\$520
APMDL30S	30"	9"	28"	Silver	54" & 60"	40	5	\$520
APMDL30W	30"	9"	28"	White	54" & 60"	40	5	\$520

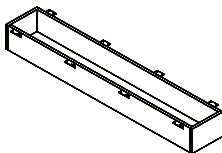
Base Placement



Legs Required & Leg Placement for Apex Metal Legs

Tops	Table Depth	Table Width	Center of 1st Base	Center of 2nd Base	Center of 3rd Base
1 pc	36"	72"	20 7/8"	51 1/8"	
1 pc	42"	84"	20 7/8"	63 1/8"	
1 pc	42"	96"	20 7/8"	75 1/8"	
1 pc	48"	96"	20 7/8"	75 1/8"	
1 pc	42"	120"	20 7/8"	60"	98 13/16"
1 pc	48"	120"	20 7/8"	60"	99 1/8"
2 pcs	42"	144"	20 7/8"	72"	122 13/16"
2 pcs	48"	144"	20 7/8"	72"	123 1/8"

Wire Management



Wire Management Trough Box (With bottom cut out)

Model#	Depth	Width	Height	Price
APWMT	11"	Varies	7"	\$372

APWMT use with Apex metal legs only. Dimensions are based on conference table sizes. 2-legs requires 1 trough, 3-legs requires 2 troughs. Wire access bottom cut out 3"D. Width varies.

Data/Power Management for Conference Table Top



Round Power Grommet (1-Power, 2-Power USB, 1-switching adapter, 60" cord)

Model#	Depth	Width	Surface Hold Diameter	Color	Weight	Cube	Price
NAPRGR3B	3 1/2"	3 1/2"	3 1/8"	Black	2	1	\$182
NAPRGR3S	3 1/2"	3 1/2"	3 1/8"	Silver	2	1	\$182

Specify cut-out location for tops.



Rectangular Power Grommet (1-Power, 2-Power USB with adapter, 108" cord)

Model#	Depth	Width	Height	Color	Weight	Cube	Price
APRPG1B	2 1/4"	3 3/4"	3"	Black	2	1	\$400
APRPG1S	2 1/4"	3 3/4"	3"	Silver	2	1	\$400
APRPG1GW	2 1/4"	3 3/4"	3"	Gloss White	2	1	\$400

Specify cut-out location for tops.



Plastic Black Power Management Unit (1-Phone, 1-Data, 3-Outlets, 1-Power USB with adapter)

Model#	Dimensions	Color	Weight	Cube	Price
MMPWRDLX	2 7/8"D x 8 3/4"W	Black	2	1	\$410

Black Matte finish. **Specify center, left or right cutout location.**
Note: Includes 8 wire-management clips. Includes top cutout (horizontal).
Data capability CAT5. Surge protected - 10' cord.



Metal Power Management Unit (2-Power, 1-Data, 2-Power USB with adapter, 1-HDMI, 1-RJ45, 1- RJ11)

Model#	Dimensions	Color	Weight	Cube	Price
MMPWRDLX2S	5 3/8"D x 9"W	Brushed Silver	2	1	\$1,120
MMPWRDLX2B	5 3/8"D x 9"W	Black	2	1	\$1,120

Metal Silver finish. **Specify center, left or right cutout location.**
Note: Includes 8 wire-management clips. Includes top cutout (horizontal).
Data capability CAT6. Surge protected - 6' cord.



Metal Reef Power Management Unit (1-HDMI with adapter, 1-VGA, 1-Audio, 2-RJ45, 3-Power, 2-Power USB with adapter)

Model#	Dimensions	Color	Weight	Cube	Price
MMRPMU16B	6 1/4"D x 16"W	Black	24	2	\$1,885
MMRPMU16S	6 1/4"D x 16"W	Silver	24	2	\$1,885

Includes top cutout (5 3/4"D x 15" W).
Center cut-out location only horizontal. Cut-out N/A directly over bases.
Data capability CAT6.



Metal Black PC Power Management Unit (4-CAT6 Ports, 1-HDMI, 1-VGA, 1-Audio, 12-Outlets and 4-Power USB with adapter)

Model#	Dimensions	Color	Weight	Cube	Price
MMPWRUPCB	9 1/2"D x 30"W	Black	24	2	\$4,400

Includes top cutout (8 1/4"D x 29 1/8"W).
Center cut-out location only horizontal. Cut-out N/A directly over bases.
Data capability CAT6.



Metal Silver Pearl PC Power Management Unit (4-CAT6 Ports, 1-HDMI, 1-VGA, 1-Audio, 12-Outlets and 4-Power USB with adapter)

Model#	Dimensions	Color	Weight	Cube	Price
MMPWRUPCS	9 1/2"D x 30"W	Silver	24	2	\$4,400

Includes top cutout (8 1/4"D x 29 1/8"W).
Center cut-out location only, horizontal. Cut-out N/A directly over bases.
Data capability CAT6.

NOTE: Data/Power Managements can not be install directly over metal legs.



**15
DAY**

LEAD
TIME

15 Day Lead Time applies to:

- For Maverick West, send complete purchase orders and all **signed** quotes and drawings to orderentry@maverickdesk.com
- For Maverick East, send complete purchase orders and all **signed** quotes and drawings to mveorders@maverickdesk.com
- No changes can be made on an order after 48 hours of receiving purchase order.
- Orders over **\$10K Net** need to confirm lead time with customer service.
- If going outside of the fabrics listed in the Apex QS brochure, please check availability with customer service. **Note:** Underground is 25% upcharge. COMs are not available for 15 Day Lead Time.
- 20 colors available.

apex color option



new colors

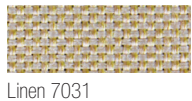


tackboard / cushion fabric options

Anchorage 2335 / Standard



Cape Cod 3073



Tempest 2120



Metro 3077



Metallation 5118



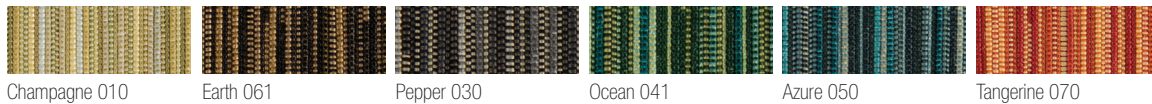
Sprite 2671



Cadence 5595



Underground 2967 / 25% upcharge



handle / grommet



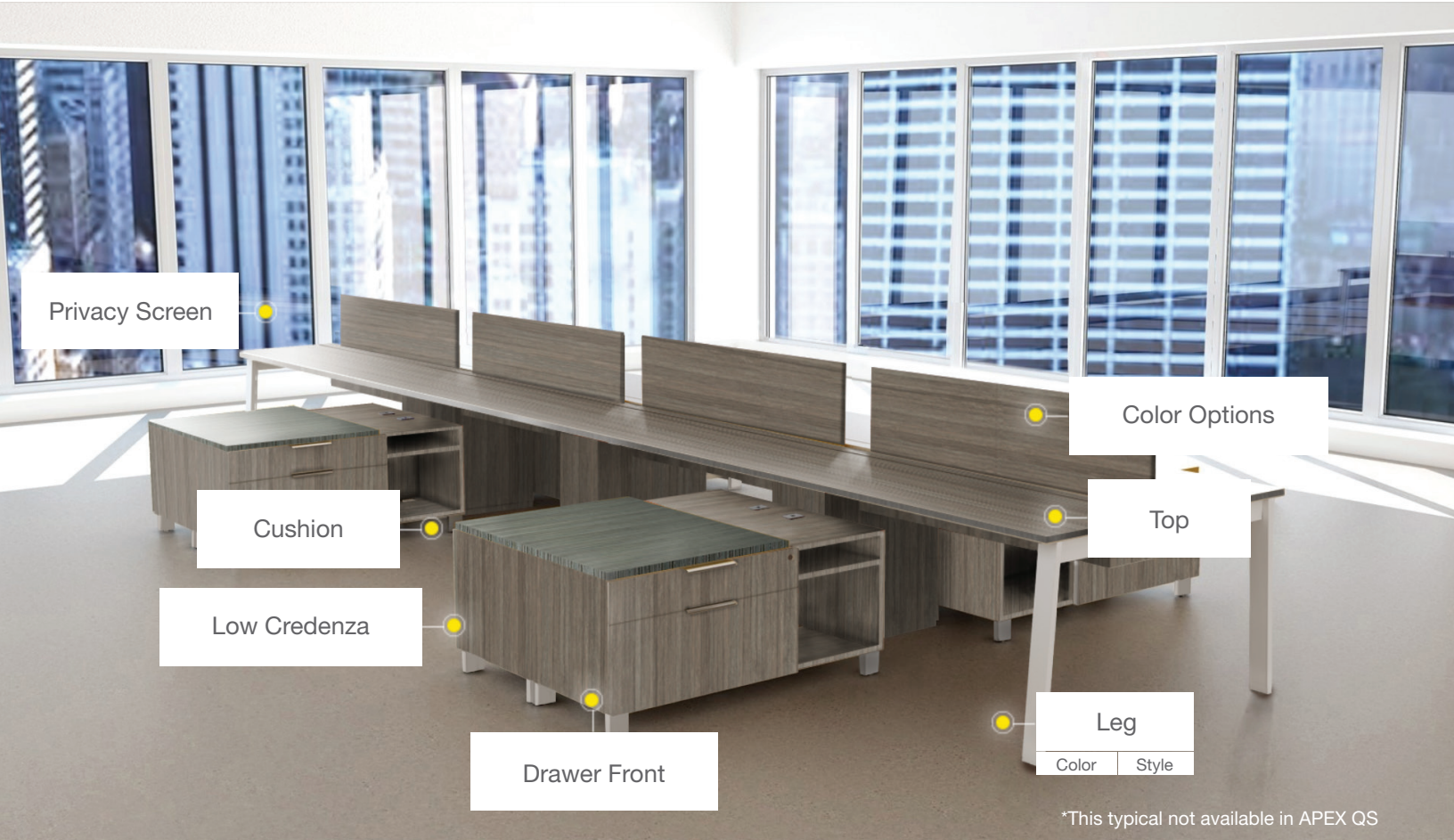
APH1
Smooth, Curved Edge Handle in Brushed Aluminum



APGRECS
Rectangular Grommet - Silver

Laminate and Fabric Colors Shown are Approximations.

APEX QUICK SHIP



finishes

get creative with our desk designer

maverickdeskdesigner.com/apex/